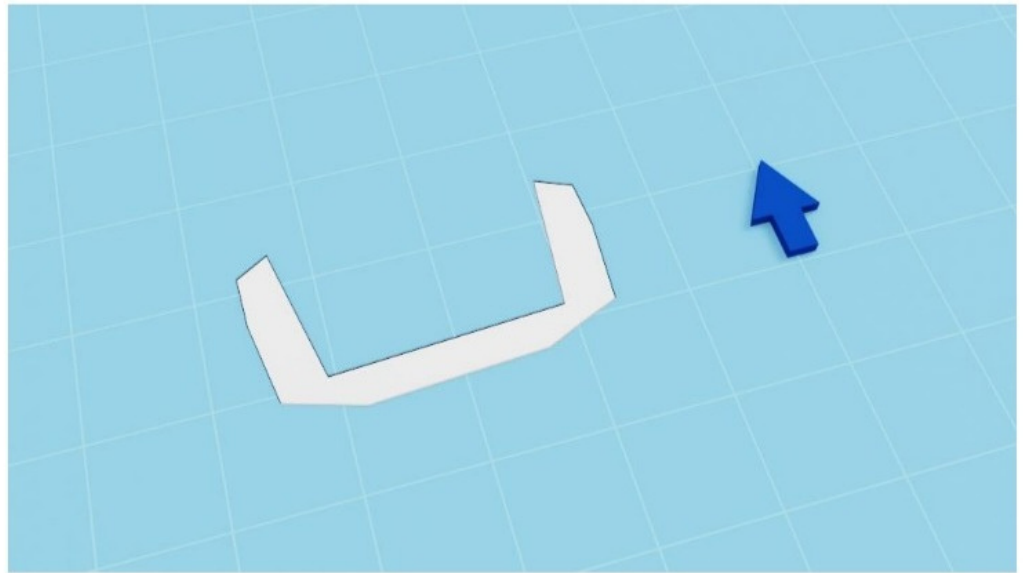


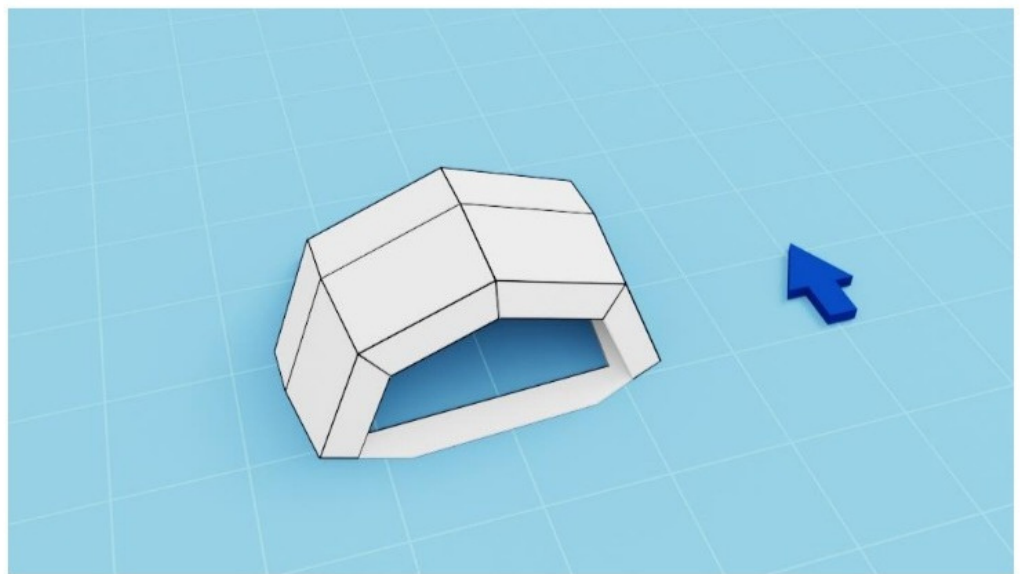
Step 1**1**

Base is just one part. (Printed face should be up). Nothing much to do here except fold the flaps.

**Step 2****2**

Fold and glue part 2 by matching the edge numbers.

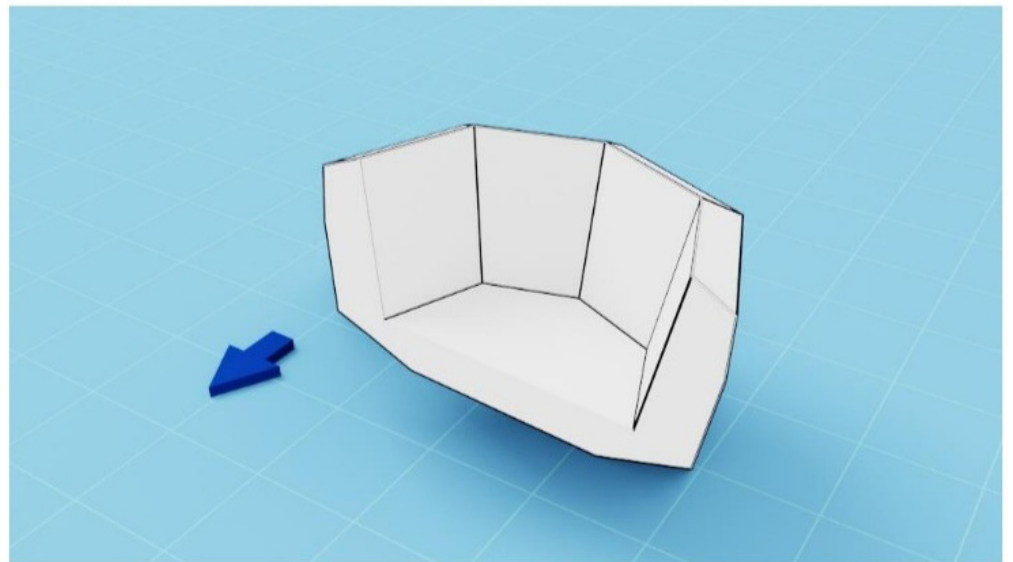
Keep in mind that printed faces should be oriented to be inside the model.



Step 3

3

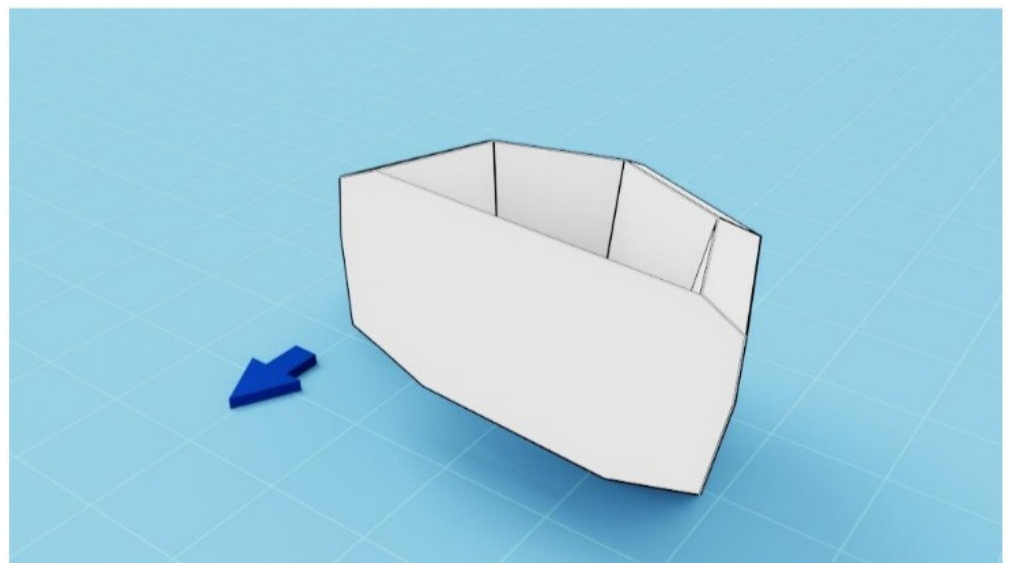
Now add the inner of the "pocket".



Step 4

4

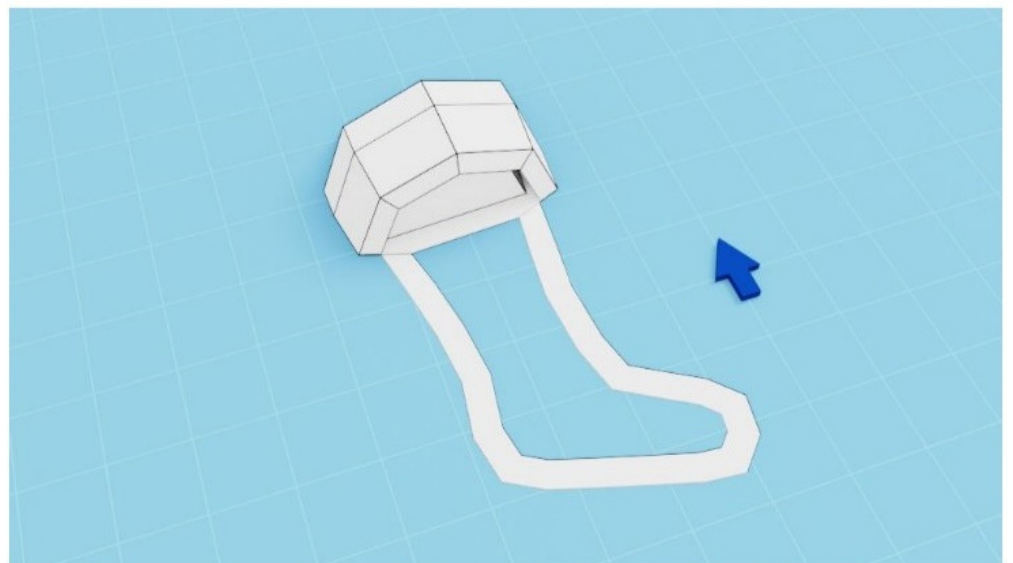
Glue this part over the whole back side of the sock.



Step 5

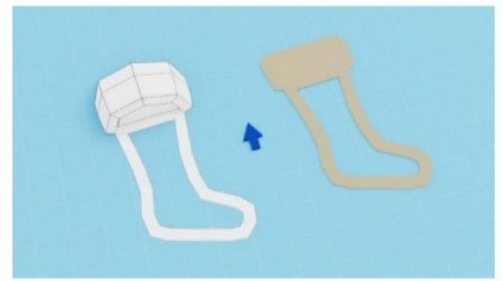
5

Now add part 5 which is the other part of the backplate.



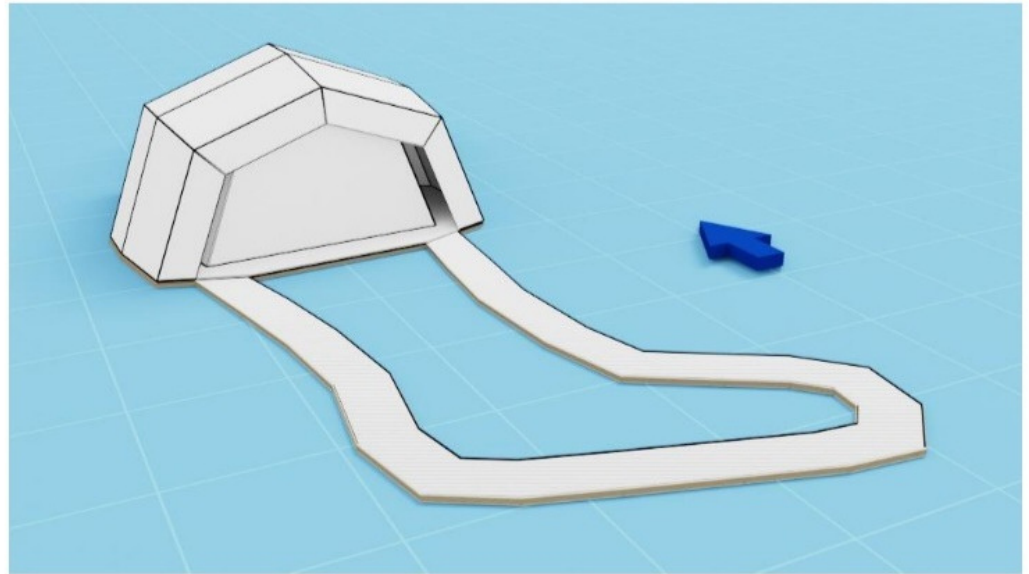
Step 6

Place what you made so far onto the cardboard, draw the lines around it and cut the cardboard in the same shape.



Step 7

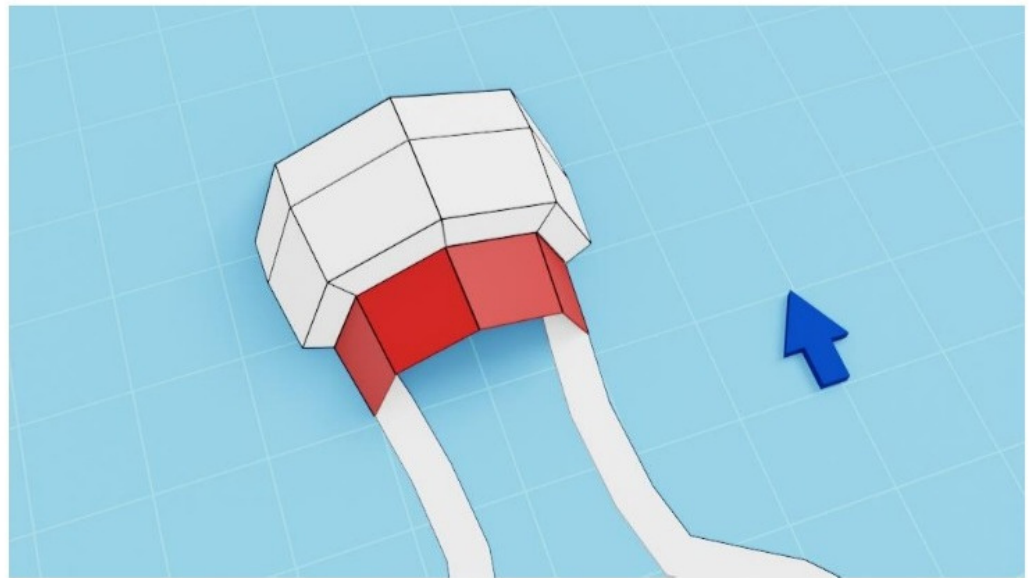
Finally, glue it to cardboard.



Step 8

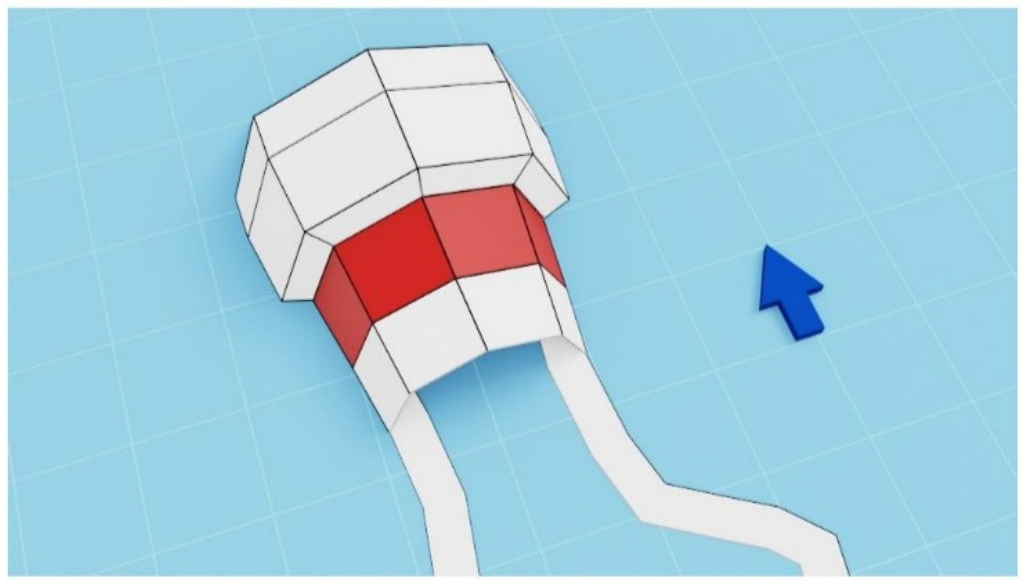
6

Start adding parts one by one. Keep doing this for the rest of the section.



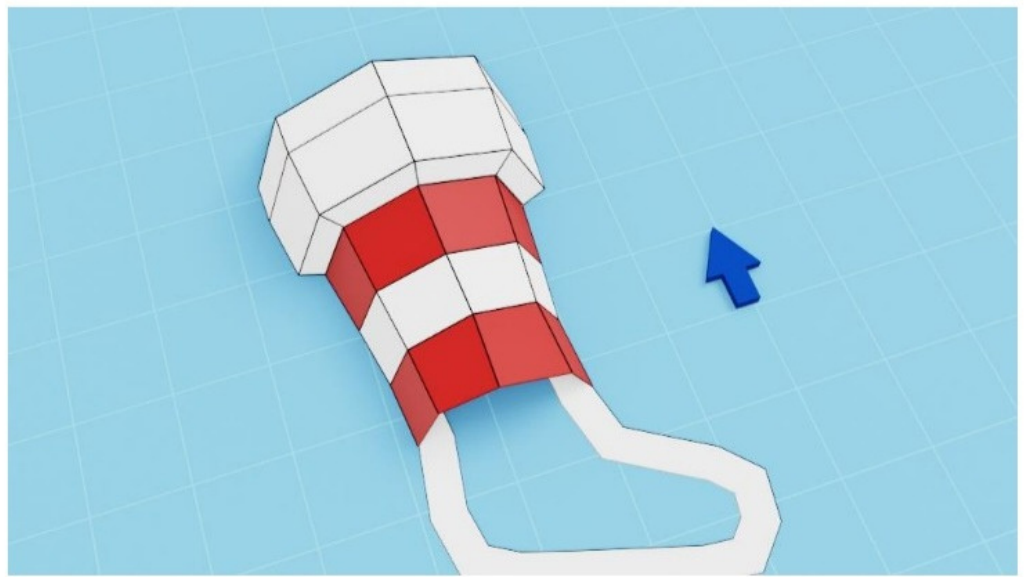
Step 9

7



Step 10

8



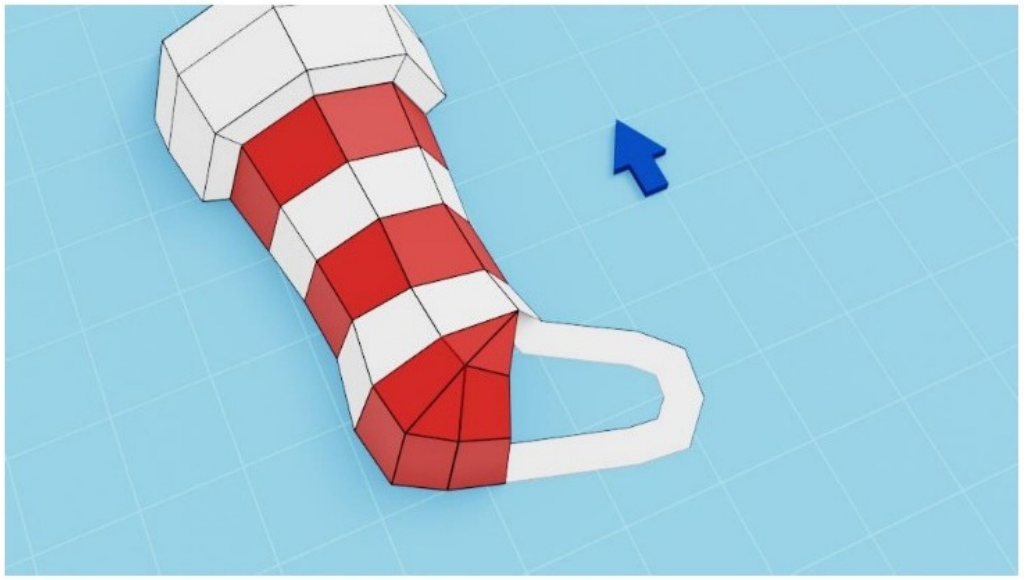
Step 11

9



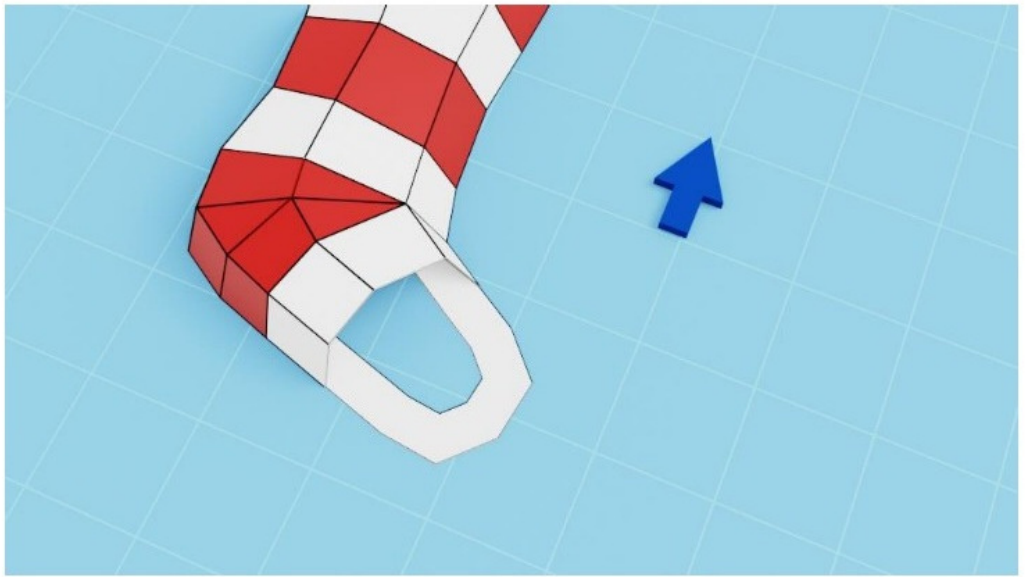
Step 12

10



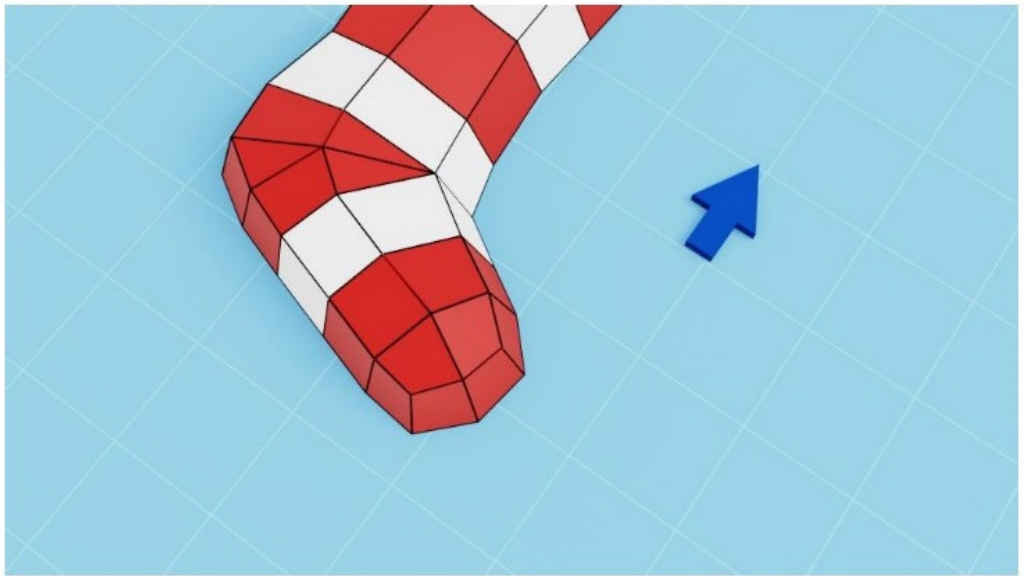
Step 13

11



Step 14

12



Step 15

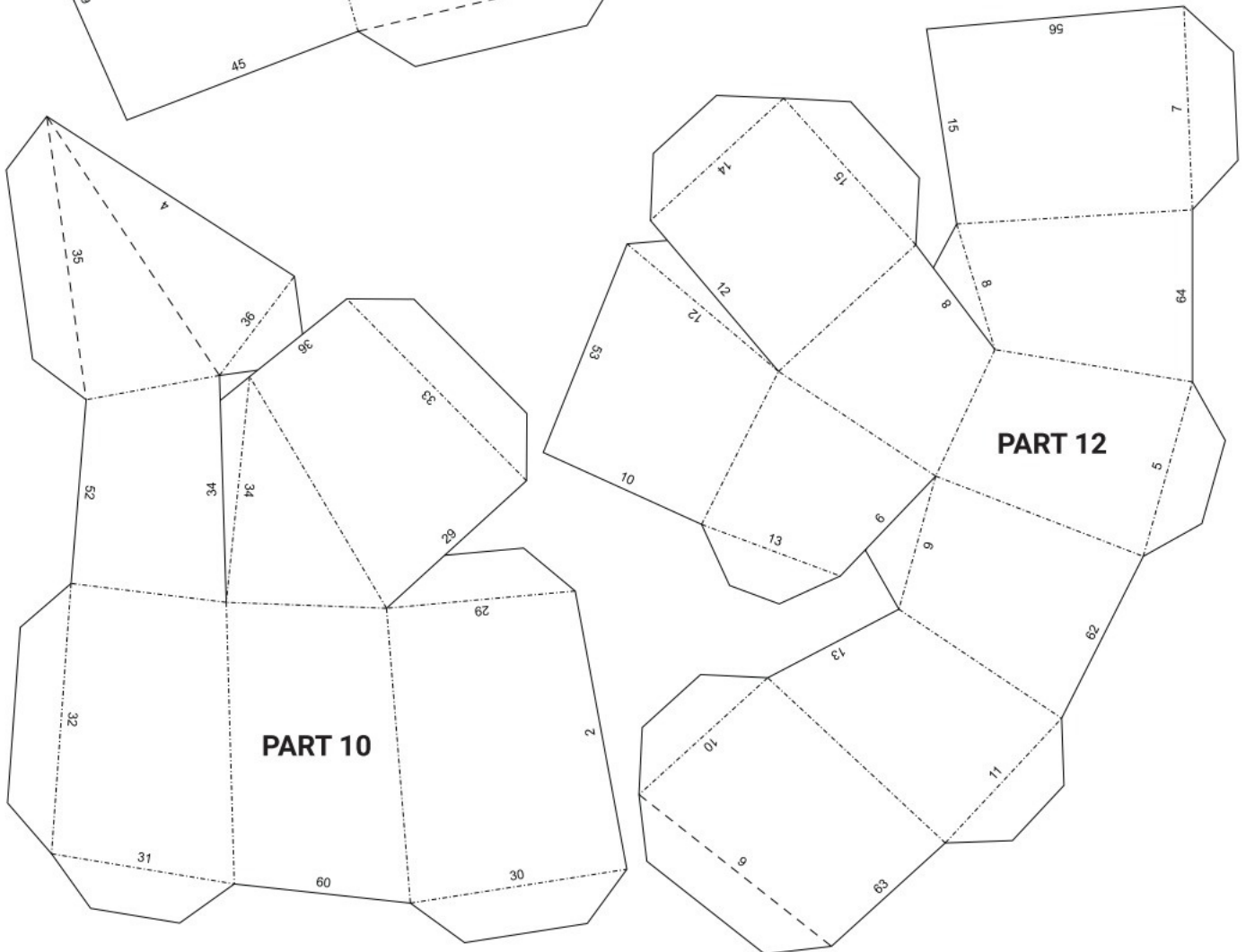
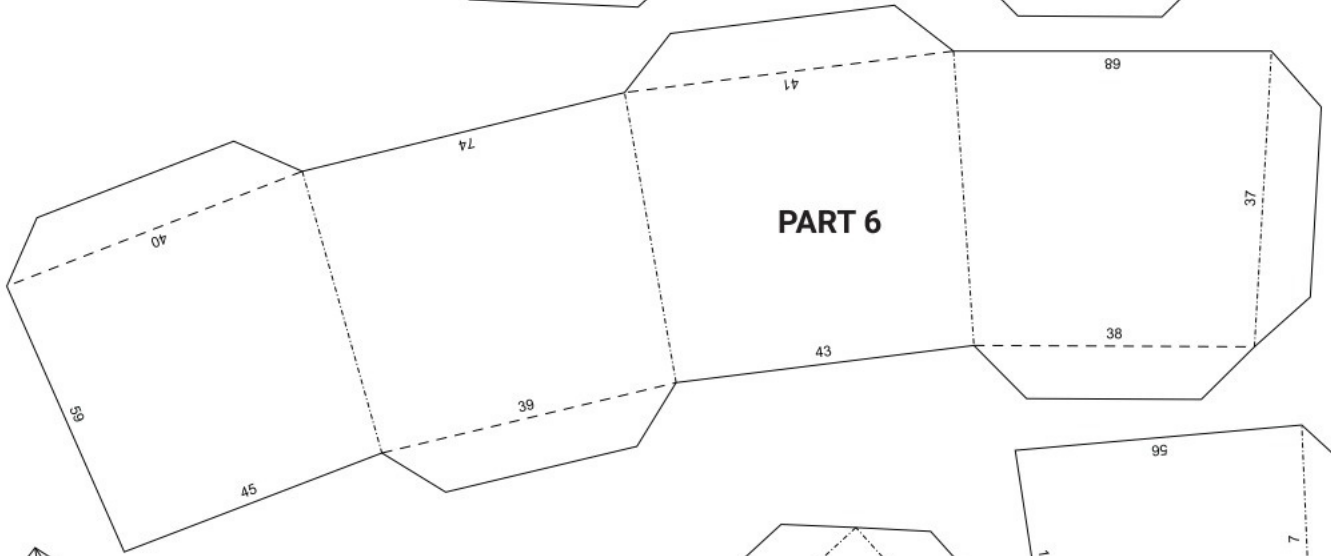
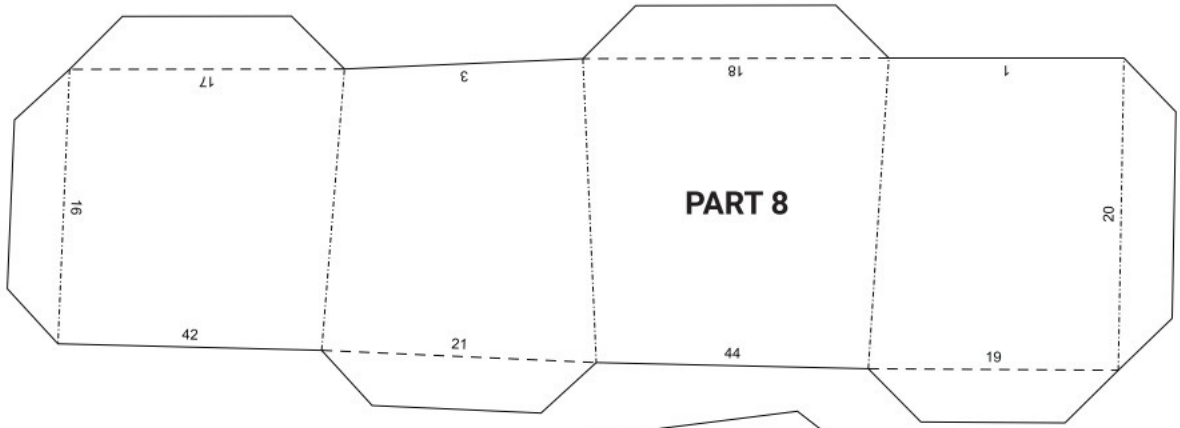
That's it! You are done!
Congratulations.

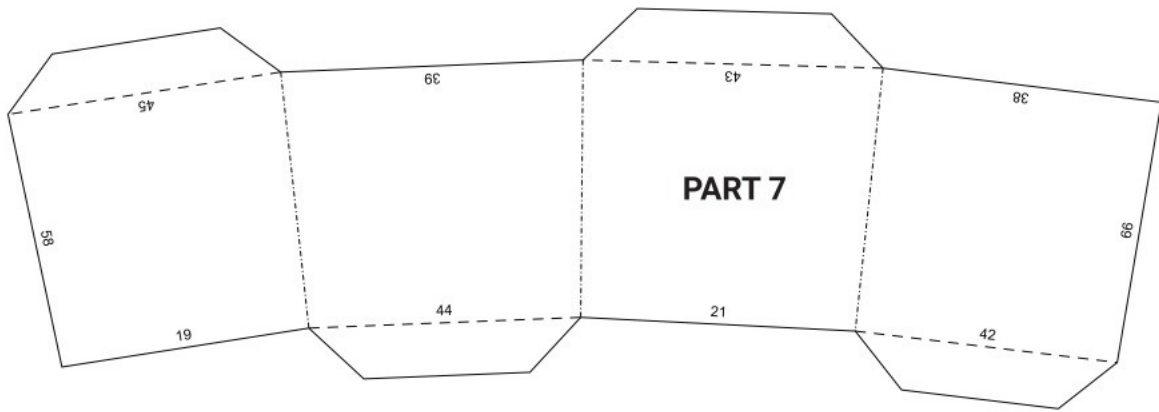
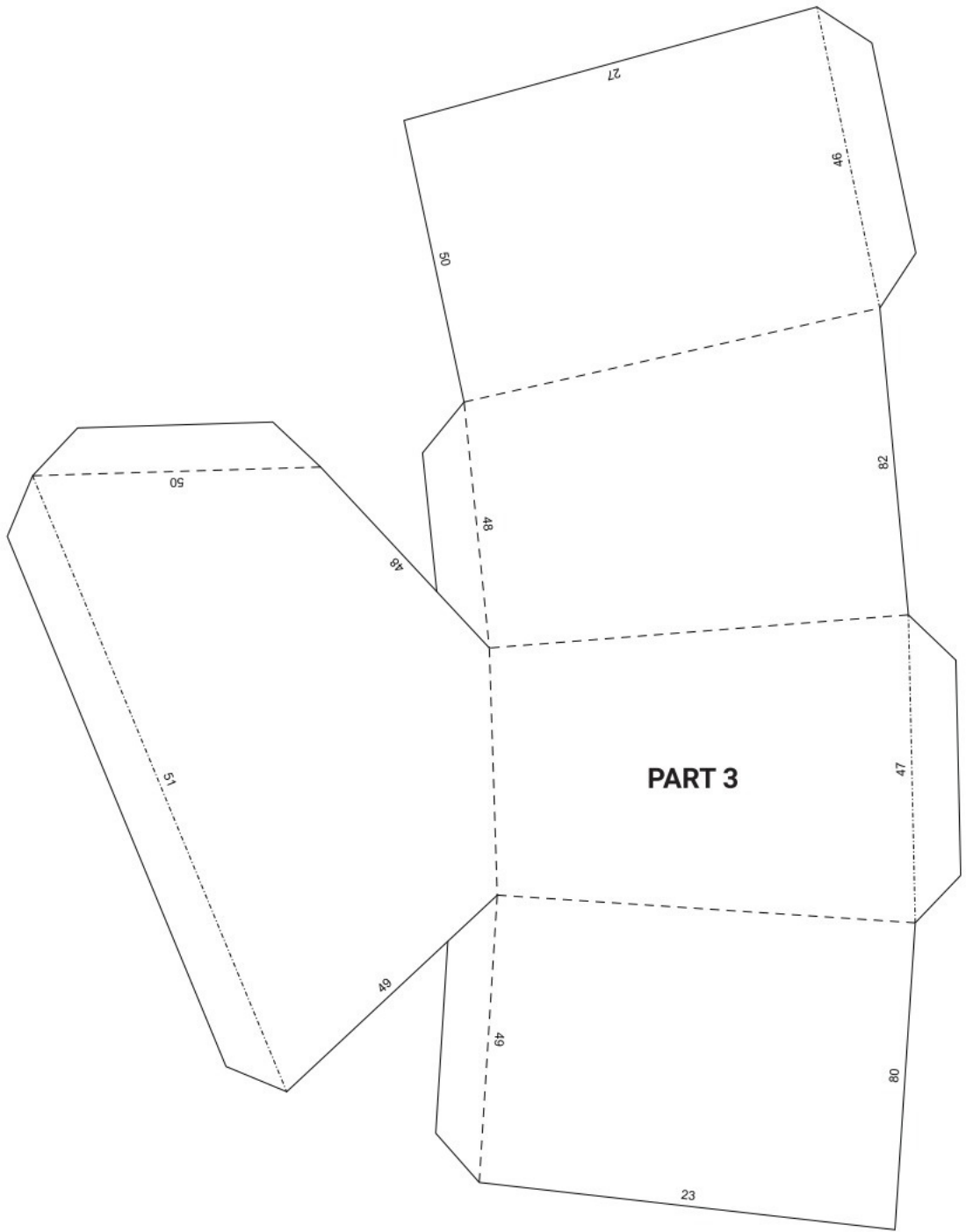
Next steps:

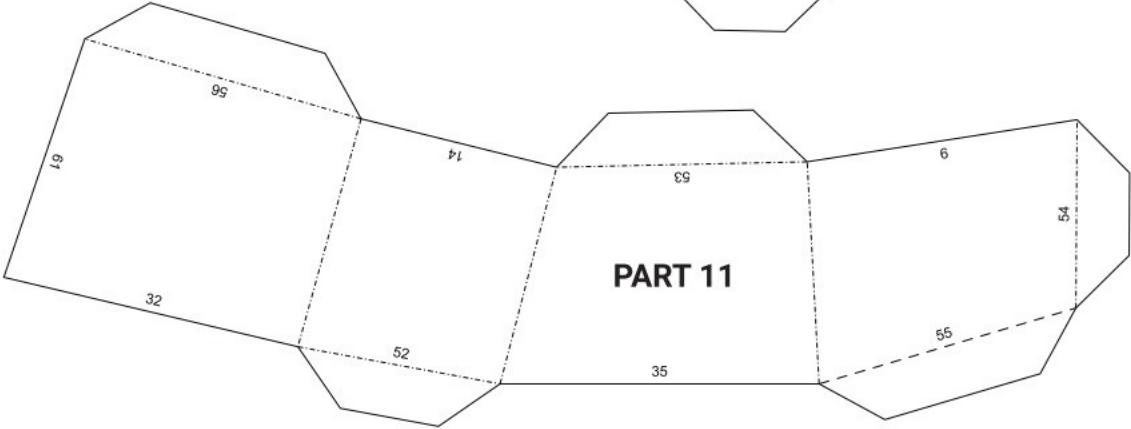
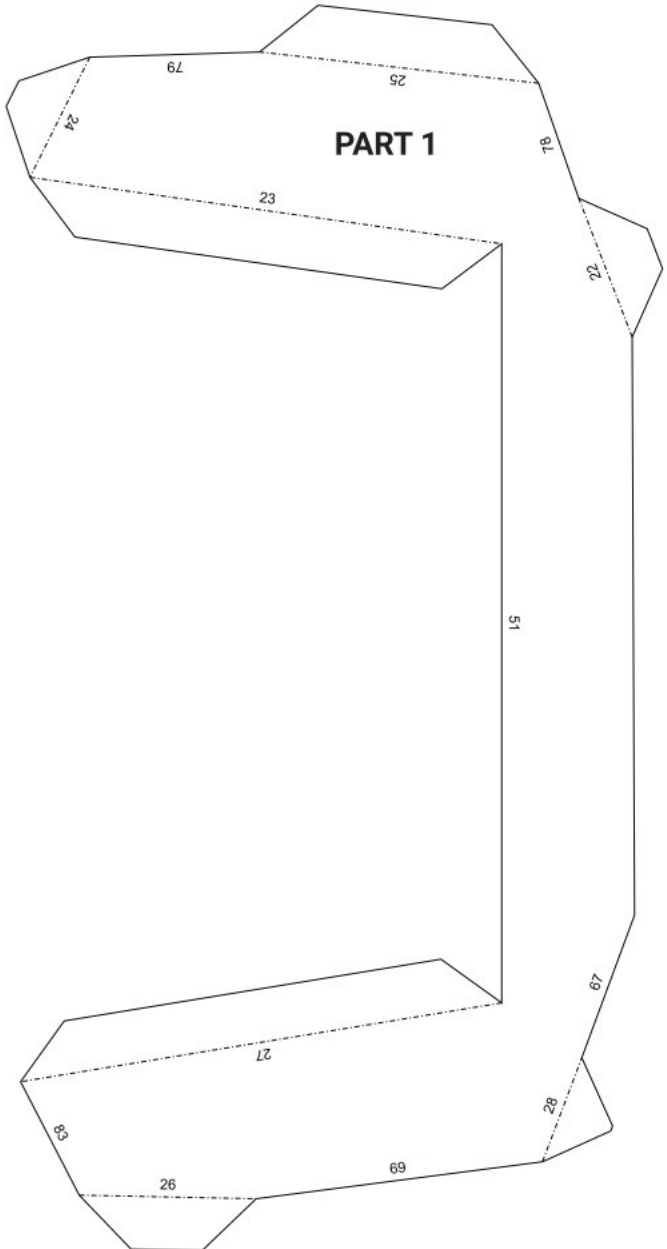
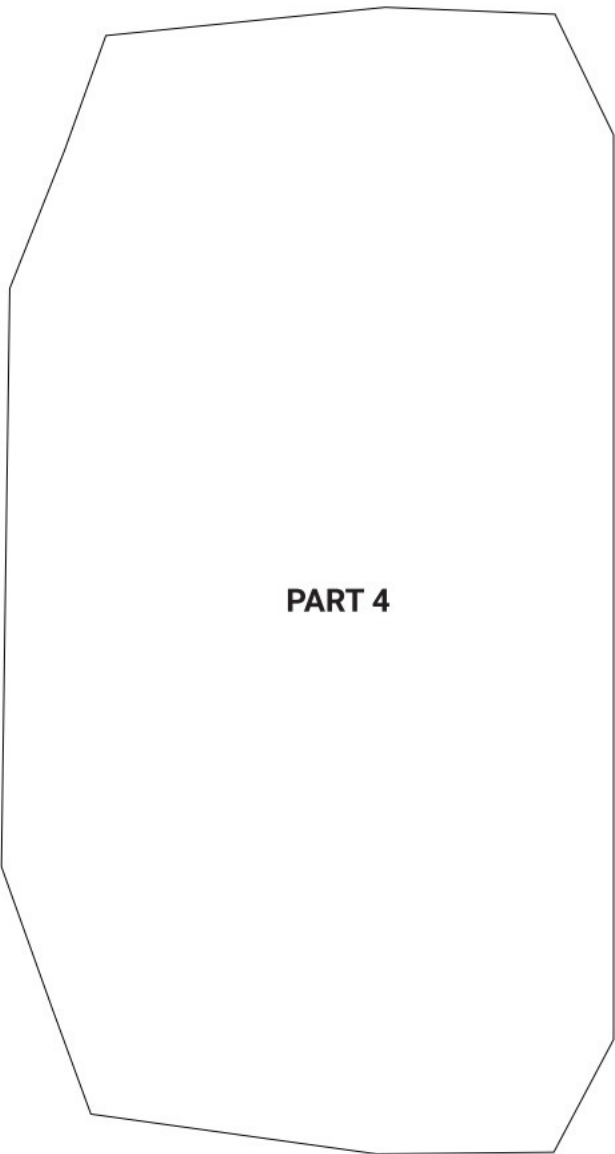
You could make a hole at the back side of the "pocket" so you can hang the sock on a nail, or with a piece of rope or something similar.

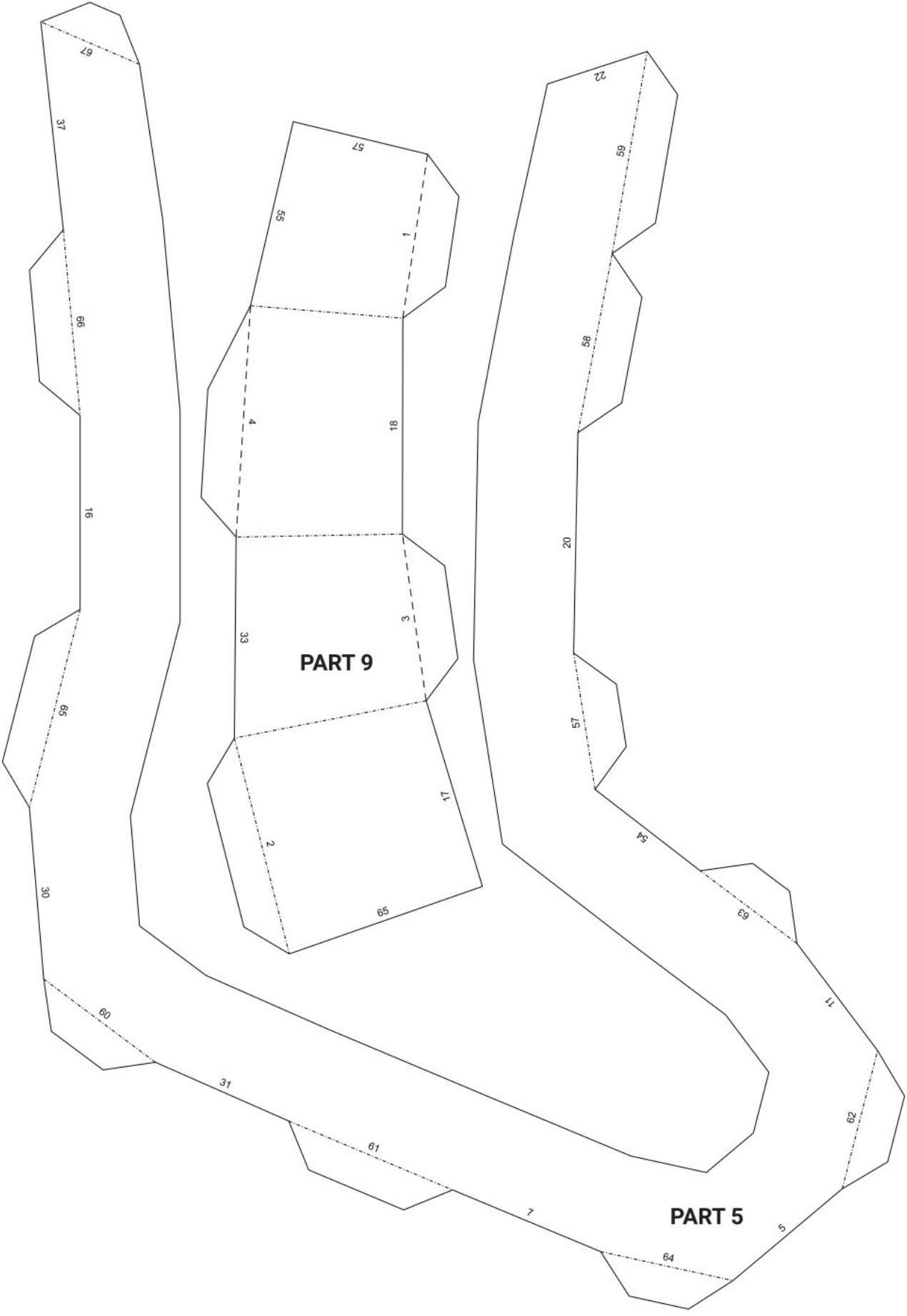
Fill it with candy! :)











PART 9

PART 5

67

37

66

16

65

30

80

31

61

7

64

5

11

62

34

89

20

57

88

65

22

57

55

81

33

3

11

2

65

1

4

